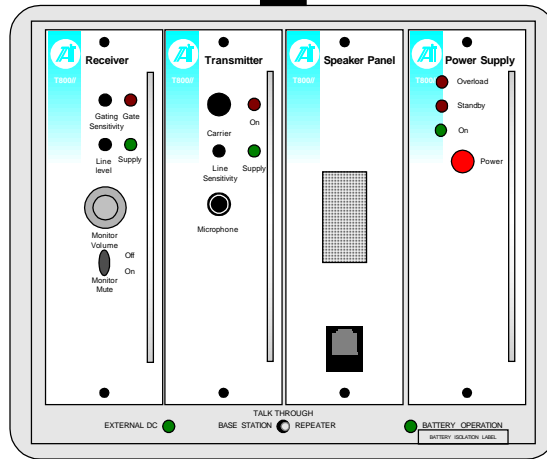
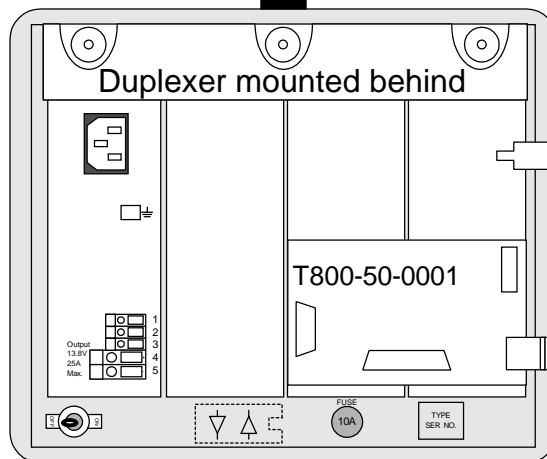


# FRONT VIEW



T8n5 -nn-0200 T8n6 -nn-0200 T800-15-0000  
 SPKR/PROG PNL  
 or  
 TA087-01-0000  
 100 CHANNEL  
 CHANNEL PANEL  
 or  
 TA387-01-0000  
 10 CHANNEL  
 CHANNEL PANEL

# REAR VIEW



ITEMS SUPPLIED AS STANDARD			
PART NUMBER	DESCRIPTION	QTY	REFERENCE
T991-05-0100	CASE, PORTABLE REPEATER - 0100 VERSION	1	SECTION 4
T800-41-0002	DOUBLE GUIDE KIT	1	SECTION 4
T800-44-0000	T800 PS GUIDE KIT	1	SECTION 4
T800-15-0000	SPEAKER / PROGRAM PANEL	1	SECTION 8
T800-40-0000	FIXING KIT ONLY	1	SECTION 4
T800-50-0001	BACKPLANE	1	SECTION 5
290-00010-48	BATTERY SEALED LEAD ACID 12V 6.5A	2	
X800-25-0000	STANDARD LOOM ASSEMBLY	1	
W800-25-0000	WIRING LIST T800-25-0000	1	



**TAIT**  
 Radio Communications  
 Christchurch  
 New Zealand

Version	Drawn	Checked	Date	
4	Reference added	AMM	ABB	26/8/99
3	Battery details added	AMM	ABB	30/6/99
2	Diode pack alignment corrected	AMM	ABB	1/6/99
1	Original	AMM	ABB	5/3/99

**TITLE:** T800-25-0001 PORTABLE  
**DRAWING:** T800-25-0001

# T800-25-0001

---

A single 25W channel, housed in a portable case with sealed lead acid batteries. This unit can use an external AC power source.

## Operational Characteristics

- Single channel
- Up to 25W output
- AC and DC operation - Batteries, external AC and DC supply input
- Speaker / Programming panel
- DC line fuse
- Backplane interface
- Battery Isolation Switch
- Talk Through Switch

## Configuration Options

- Channel Panel
- Duplexer
- Coaxial Relay
- Antenna

## Mechanical Characteristics

- Portable case to house up to 4 modules
- Top Mounting Duplexer Tray
- Size

	Case Only	with Handles and Connectors
Height -	242mm	305mm
Width -	255mm	300mm
Depth -	460mm	460mm

- Weight – (rackframe with modules shown)  
18.3kg

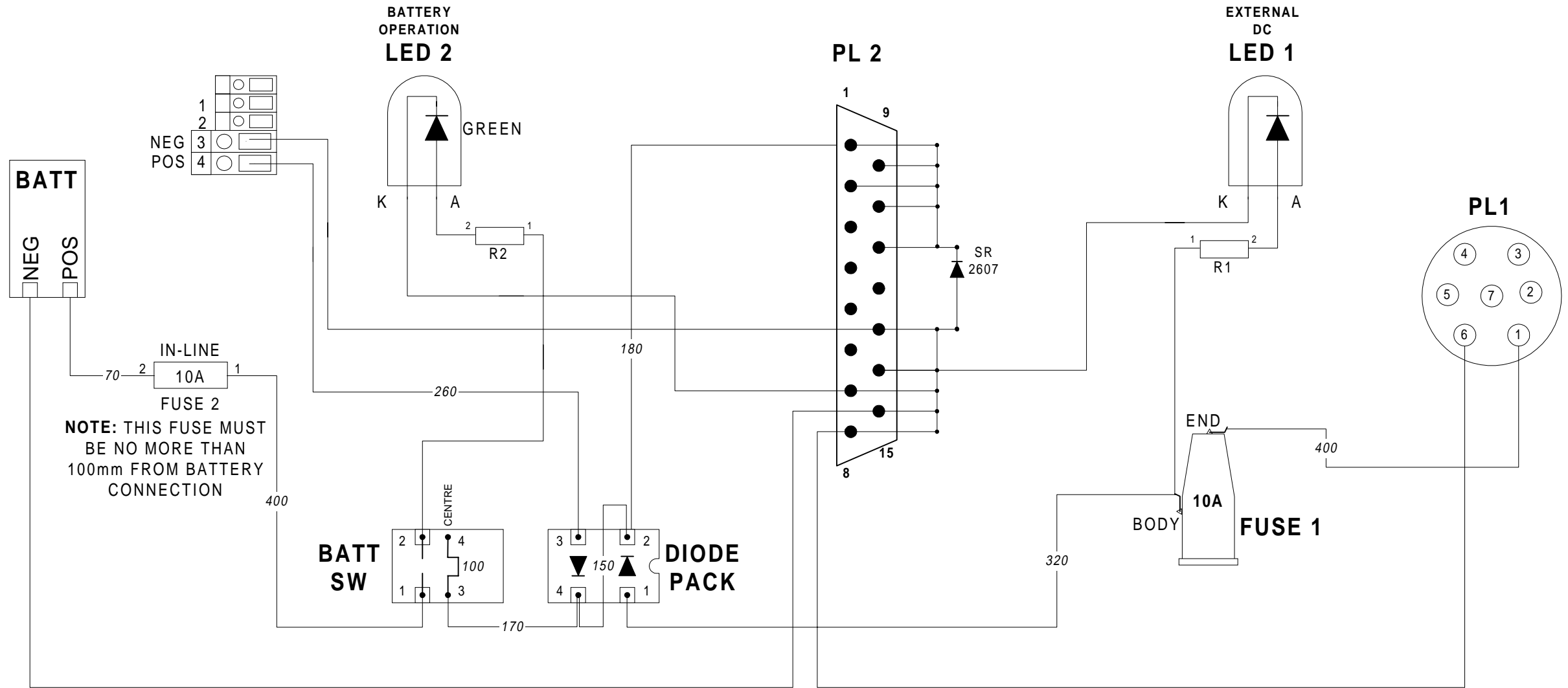
**CAUTION:** If operating above 15 Watts, front and rear covers must be removed.

Rack "Items Supplied as Standard" does not include modules other than those listed on the drawing.



**TAIT**  
Radio Communications  
Christchurch  
New Zealand

ISSUE	AMENDMENT	DRAWN	CHECKED	DATE
1	Original	AMM	ABB	5/3/99
2	Switch numbering corrected	AMM	ABB	7/7/99
3	FUSE NOTE ADDED	AMM	ABB	9/7/99
4	WIRE LENGTHS ADDED	AMM	ABB	18/1/99



BATTERY					BATTERY SWITCH					DIODE PACK					PL2					FUSE 1					PL 1																							
PIN	FUNCTION	DEST.	COL	SIZE	PIN	FUNCTION	DEST.	COL	SIZE	PIN	FUNCTION	DEST.	COL	SIZE	PIN	FUNCTION	DEST.	COL	SIZE	PIN	FUNCTION	DEST.	COL	SIZE	PIN	FUNCTION	DEST.	COL	SIZE																			
P	13.8V	FUSE2:2	RD	154	70	1	13.8V	FUSE2:1	RD	154	400	1	13.8V	FUSE1:BODY	RD	154	320	1	13.8V	DP:2	RD	154	180	E	13.8V	PL1:1	RD	154	400	1	13.8V	FUSE1:END	RD	154	400													
N	0V	PL2:15	BLK	154	500	2	13.8V	R2:1	BRN	7/2	660	2	13.8V	PL2:1	RD	154	180	2						13.8V	DP:1	RD	154	320	2		N/C				2		N/C											
<b>FUSE 2</b>					3	13.8V	DP:4	RD	154	170	3	13.8V	PSU:4	RD	154	260	3								13.8V	R1:1	RD	7/2	550	3		N/C				3		N/C										
					4					4	13.8V	DP:2	RD	154	150	4																																
1	13.8V	B/SW:1	RD	154	400	<b>LED 2</b>					<b>PSU</b>					5																																
2	13.8V	BATT:POS	BLK	154	70	A	13.8V	R2:2				<b>R2</b>					6																															
					K	0V	PL2:7	BLK	7/2	570						7	0V	LED2:K	BLK	7/2	570	<b>R 1</b>					1	13.8V	FUSE1:BODY	RD	7/2	550	4		N/C													
															8	0V	PL1:6	BLK	154	440						2	13.8V	LED1:ANODE																				
															9																																	
															10																																	
															11																																	
															12																																	
															13	0V	PL2:13	BLK	154	390						A	13.8V	R1:2																				
															14	0V	DP:3	RD	154	260						K	0V	PL2:14	BLK	7/2	540	<b>LED 1</b>																
															15	0V	BATT:NEG	BLK	154	500																												

**TITLE:** DC WIRING DIAGRAM FOR T800-25-0001

**FILE:** c:\ab\w800-25-0001.vsd  
**DRAWING:** W800-25-0001

